

PISTOLLO 77



USER MANUAL

Hello,

THANK YOU for purchasing the PISTOLLO 77 semi-automatic pistol. Before operating the firearm, please familiarize yourself with this instruction manual, including all safety instructions. **Improper handling and incorrect use of the firearm, as well as aftermarket modifications, corrosion from lack of maintenance, and the use of unsupported or handloaded ammunition, may result in an unintentional discharge, causing possible property damage, injury, or death.**



Prior to leaving the manufacturing facility, the firearm was test-fired, proof tested, inspected, and packaged. However, after leaving the facility, the transportation of the firearm to the consumer is out of the manufacturer's control. Therefore, when taking possession of the PISTOLLO 77, thoroughly inspect it to ensure that it is undamaged and unloaded.

This instruction manual must always accompany the firearm, including when the firearm is sold to another person. Always ensure compliance with local, state, and federal laws regarding firearm ownership and use.

SAFETY INSTRUCTIONS

Whenever using a firearm, always observe the following safe handling practices. This will ensure your safety and that of those around you.

- Always treat a firearm as if it were loaded.
- Never point a firearm at anything you do not intend to destroy.
- Keep your finger off the trigger and outside the trigger guard until you are aiming at the target and ready to fire.
- Always know your target and what is beyond it; before pulling the trigger, check your target and the area behind it once again.
- Never shoot at a hard surface (such as stone) or at the surface of water.
- Always visually confirm that a firearm is unloaded before function testing, maintaining, demonstrating, cleaning, storing, transporting, laying it down, handing it over to another person, or performing any handling not directly related to firing.
- Never leave a loaded firearm unattended.
- When a firearm is loaded and cocked, keep the safety in the SAFE position until just before you are ready to fire.
- Use only high-quality, undamaged, dry, clean, factory-loaded ammunition in good condition, in 9mm Luger / 9x19mm caliber, that complies with C.I.P. standards.
- Before loading a firearm, ensure that the barrel bore, chamber, and slide are clean, free of obstructions, and that it is in proper functioning condition.
- When shooting, hold the firearm using a proper and secure grip technique; do not place your hand in front or near the muzzle, do not hold the firearm by the magazine, and do not rest the firearm on the magazine.
- Do not block the ejection port and ensure that no one is in the path of the ejected cartridge case.
- When shooting, use proper hearing (earmuffs) and eye protection (shooting glasses).
- In the event of a misfire, keep the firearm pointed at the target or in a safe direction for 30 seconds to 1 minute. If ignition does not occur and the firearm does not fire, remove the cartridge from the chamber and inspect it. If the cartridge shows an indentation from the firing pin, have the cartridge disposed of by a qualified professional and have the firearm inspected by a qualified professional before further firing.
- Never use a firearm for purposes other than shooting.
- Never modify firearm components. Doing so may result in serious impairment of its function and safe operation.
- Corrosion, the use of defective ammunition, dropping a firearm onto a hard surface, and other rough handling may cause damage that is not visible at first glance. If such a situation occurs, have the firearm inspected by a qualified professional.
- Clean a firearm fouled from shooting as soon as possible.
- When storing a firearm, ensure it is unloaded with the firing mechanism decocked; store the firearm and its ammunition in separately in a locked place, out of reach of unauthorized persons and children.

Introduction to the Pistollo 77

The Pistollo 77 is a unique semi-automatic pistol designed for discerning users who value sophisticated aesthetics, clean lines, and a distinctive futuristic design. It is optimized for sport shooting, target practice, or personal defense.

The pistol's streamlined design incorporates shrouded controls, including a flip-up, non-reciprocating charging handle on the top of the handguard; bolt catch (front) and bolt release (rear) buttons on the bottom of the handguard; and ambidextrous magazine release and thumb safety controls.

The ambidextrous thumb safety is in the SAFE position when the level is horizontal to the barrel axis. Rotating the level downward approximately 40° engages the FIRE position. Operation is like that of an AR-style thumb safety.

The pistol's rear is equipped with a MIL-STD-1913 Picatinny rail (with an optional polymer cover), allowing the operator to attach a pistol stabilizing brace.

The Pistollo 77 does not come equipped with iron sights and is not designed for aiming with traditional front and rear sights. Instead, the top of the receiver features a MIL-STD-1913 Picatinny rail for mounting your preferred optic, such as a holographic or red-dot sight.

The pistol is designed for use with OEM Glock Gen 4 (and newer) double-stack 9mm magazines, with a minimum capacity of 10 rounds. Aftermarket (non-OEM) Glock magazines may be used, but compatibility and reliable function cannot be guaranteed.

The Pistollo 77 features an ambidextrous magazine release, allowing the magazine to be released from either the left or right side.

Technical Specifications

Caliber: 9mm Luger (9x19mm)

Barrel length: 256 mm

Overall length: 503 mm (without rear rail cover)

Height: 178 mm

Width: 46 mm overall; 32 mm firearm housing; 30 mm firearm body

Weight: 2.75 kg

Magazine capacity: 17 rounds (Glock Gen 4 and newer)

Firing mode: Semi-automatic; SAFE / FIRE

Bolt Assembly and Semi-Automatic Function

The Pistollo 77 is a semi-automatic pistol with four main components: the frame, barrel, bolt carrier, and bolt. It operates using a blowback system with a linear striker for reliable firing.

The bolt assembly is semi-locked and includes the bolt carrier (with its own recoil spring), the bolt (which handles extraction and ejection), and a locking lever that connects them. When firing, recoil pressure from the cartridge pushes the bolt rearward, unlocking the system, ejecting the spent case, and compressing the recoil spring. The spring then drives the assembly forward, stripping a new cartridge from the magazine and chambering it. The locking lever rotates to secure the bolt in place for the next shot.

As a safety feature, the striker (housed in the bolt carrier) cannot reach the primer unless the chamber is fully locked.

Trigger Mechanism

The Pistollo 77 uses a striker-fired, semi-automatic trigger mechanism designed for one shot per trigger pull. It includes the trigger, disconnector, sear (which holds the striker), and a striker block that acts as a drop safety to prevent accidental discharge if the gun is dropped or the sear fails.

To fire, pull the trigger rearward; this releases the striker to detonate the primer. After the shot, recoil activates the disconnector, interrupting the cycle to ensure semi-automatic operation. Release the trigger fully to reset it before pulling again for the next shot.

Thumb Safety Operation

The Pistollo 77 pistol features a basic ambidextrous thumb safety that rotates around its axis with two positions: SAFE (locked) and FIRE (unlocked). To engage the FIRE position, rotate the safety downward approximately 40° using your thumb. To return to SAFE, rotate it upward using your thumb or the index finger of the opposite hand.

In the SAFE position, the firearm cannot be cocked or fired - even if dropped - because the safety directly blocks the striker block. If the firearm is unloaded, this also prevents the bolt from moving rearward far enough to cock the firing mechanism. Additionally, the safety blocks the trigger to prevent it from being pulled rearward and guards against any accidental or unintentional striker release.

If the safety is engaged on a loaded firearm (with the striker cocked), you can still safely unload and reload the pistol.

Operating the Pistolo 77

Always follow all safety instructions in this manual before operating the Pistolo 77. Ensure the firearm is always pointed in a safe direction.

1. **Load the Magazine:** Insert compatible 9mm Luger / 9x19mm ammunition (factory-loaded, C.I.P.-compliant) into a Glock Gen 4 (or newer) or compatible double-stack magazine, ensuring cartridges are oriented correctly and seated firmly. Do not exceed the magazine's capacity.
2. **Insert the Magazine:** With the firearm pointed in a safe direction and the safety in the SAFE position, insert the loaded magazine into the magazine well until it clicks securely into place.
3. **Chamber a Round:**
 - a. Deploy the non-reciprocating charging handle on the top of the handguard by pressing down on its rear edge to pop it up slightly.
 - b. Grip the handle with your fingers and pull it fully rearward to retract the bolt, then release it to allow the bolt to move forward, stripping a round from the magazine and chambering it.
 - c. Alternatively, if the bolt is locked rearward (e.g., after the last round), press the rear button (bolt release) on the underside of the handguard—it will protrude slightly when engaged—to send the bolt forward and chamber a round. The front button is the bolt catch, used to manually lock the bolt back.
4. **Disengage the Safety:** Rotate the ambidextrous thumb safety downward approximately 40° to the FIRE position using your thumb or the index finger of your opposite hand.
5. **Fire the Pistol:** Aim at your target using your mounted optic, keep your finger off the trigger until ready, then pull the trigger rearward to fire. Release the trigger fully to reset it for the next shot. The pistol will cycle semi-automatically, firing one round per trigger pull until the magazine is empty.
6. **Unload the Firearm:**
 - a. Engage the safety to the SAFE position.
 - b. Press the ambidextrous magazine release to remove the magazine.
 - c. Pull the charging handle rearward to eject any chambered round and visually inspect the chamber and magazine well to confirm the firearm is unloaded.
 - d. Lock the bolt rearward using the front button (bolt catch) on the underside of the handguard for added safety during inspection.

Repeat these steps as needed, but always verify the firearm is unloaded before storage or maintenance. If the bolt locks back on an empty magazine, insert a loaded magazine and press the bolt release to resume firing.

Disassembly and Assembly

Bolt Disassembly

Disassembly begins by ensuring the firearm is unloaded, removing the magazine, and moving the bolt to the forward position.

If no pistol stabilizing brace is attached, remove the optional rear polymer rail cover by pulling it straight rearward.

If a brace is attached via quick-detach mount, depress the release button, rotate it 90 degrees, and pull rearward to remove it.

If a brace is attached to the rear picatinny rail, remove it using the appropriate tool, then press the button above the rail, rotate the rail mount 90 degrees clockwise or counterclockwise, and pull it rearward to detach.

Finally, remove the rear polymer cover and slide the upper polymer cover rearward to expose the internal components.

The working area inside the frame is now exposed. Press the recoil spring guide rod button forward and pivot it upward to remove the spring and guide rod.

Next, use a pin punch (or a similar tool) to push the striker rod forward from the rear of the firearm, at the spot where the rail was attached (look for a button-like protrusion). While pressing, reach inside and pull out the striker rod, spring, and rubber block as a single assembly.

Note: If the striker (lower portion of the bolt carrier) is protruding, the assembly cannot be removed due to the obstruction. In this case, pull the trigger to retract it back into the bolt carrier. If it doesn't retract, gently push it forward with your finger while pulling the trigger.

Now slide the bolt carrier fully rearward and lift it upward to remove it from the frame. Further disassembly of the frame is not required for cleaning and lubrication purposes.

The bolt carrier can be further disassembled by pushing the cam out from the side. Move the striker rearward, pull the rocker downward to remove it, then push the bolt rearward and pivot it out of the carrier. The bolt is now disassembled and ready for cleaning and lubrication.

For assembly, proceed in the reverse order. When installing the striker assembly (rod, spring, and rubber block), ensure that the flat side of the rubber block faces upward. The side of the rubber block with chamfered corners must face downward.

The frame and grip module cannot be separated without the use of gunsmithing tools. These components are rigidly connected by two main screws located inside the frame and are additionally secured with thread-locking compound to prevent loosening.

The polymer panels attached to the frame and grip are also non-removable, as they are bonded using epoxy.

CLEANING AND LUBRICATION

Prior to cleaning, ensure the firearm is unloaded and the magazine is removed. Clean the barrel using a nylon, copper, or bronze brush or a barrel cleaning cord of the appropriate caliber, together with a high-quality firearm cleaning chemical. Afterwards, wipe the barrel dry and apply a thin layer of firearm-appropriate corrosion inhibitor using a cotton patch, swab, bore mop, or cleaning cord.

Clean other fouled surfaces on the slide and frame as soon as possible after shooting using firearm cleaning chemicals. Wipe the parts dry and apply a light layer of lubricating and anti-corrosion oil to the moving components. A light coat on the moving parts is sufficient for proper function; do not soak the slide, frame, or trigger mechanism in oil.

After retrieving the firearm from long-term storage, verify that the bore is clear and clean, the previously applied oil has not gelled, and there is no corrosion on steel surfaces. If light corrosion is present, remove it using fine or ultra-fine grade steel-wool and protect the surface with anti-corrosion oil. If the oil has become thick or sticky, clean the internal mechanisms and reapply a light layer of lubricating and anti-corrosion oil. If heavy corrosion is present, have the firearm inspected by a trained gunsmith.

Trigger Mechanism in Grip Module:

The internal components of the trigger mechanism do not need to be soaked in oil or cleaning chemicals - wiping them dry is sufficient. If the components bind when dry, apply a few drops of lubricating oil.

For heavy carbon contamination from prolonged shooting or skipped cleaning sessions, blow out the area around the components with compressed air, directing the airflow so that contaminants are not forced into the trigger disconnect or functional spaces. After blowing, cycle all movable parts to allow any remaining contaminants to fall out, then blow again. This process can be repeated by spraying cleaning oil on the contaminated surfaces, removing the excess oil, and blowing dry with compressed air.

After reassembly and for long-term storage, leave a thin layer of lubricating and anti-corrosion oil on the components, including the exterior surfaces (especially on the firearm frame). Maintain this protective layer to preserve the finish and prevent corrosion. Use caution when storing the firearm in a padded case, as the padding may absorb the oil and cause corrosion or degrade and contaminate the firearm.

Construction Materials

Carbon Steel — Firearm housing (frame), bolt, barrel, and parts of the trigger mechanism.

Aluminum Alloy — Grip module (including the magazine well), main structure of the handguard, and small components such as control buttons and the bolt charging handle, etc...

Reinforced Polymer — Pistol cover (external shell), lower part of the handguard, magazine base plate, upper Picatinny rail, and decorative design covers forming the appearance of the pistol.

Important Notice Regarding U.S. Firearms Laws and Modifications

Under the Gun Control Act of 1968, specifically 18 U.S.C. § 922(r), it is unlawful for any person to assemble a semi-automatic rifle or shotgun from imported parts if that firearm would be prohibited from importation under 18 U.S.C. § 925(d)(3) as not being particularly suitable for or readily adaptable to sporting purposes. This provision limits such assemblies to no more than 10 imported parts from a specific list of 20 regulated components (e.g., receivers, barrels, stocks, and certain operating parts).

The Pistollo 77 is imported from the Czech Republic as a semi-automatic pistol and complies with U.S. import regulations in that configuration. However, because it incorporates more than 10 regulated components manufactured outside the United States, attaching a shoulder stock to convert it into a short-barreled rifle (SBR) would result in the assembly of a semi-automatic rifle that is identical to one prohibited from importation. Such a modification violates 18 U.S.C. § 922(r), even if approved by the Bureau of Alcohol, Tobacco, Firearms and Explosives (ATF) via a Form 1 application under the National Firearms Act (NFA).

Do not attempt to submit an ATF Form 1 or otherwise convert the Pistollo 77 into an SBR by adding a stock, as this would create an illegal firearm. Instead, the pistol is equipped with a rear MIL-STD-1913 Picatinny rail for optional attachment of a pistol stabilizing brace, which maintains its legal status as a pistol.

The manufacturer and importer assume no liability for any modifications made by the owner that result in an illegal configuration, including violations of federal, state, or local laws. Always consult with a qualified firearms attorney or the ATF for guidance on modifications, and ensure compliance with all applicable regulations.

Customer Support for Manufacturing Defects

If you believe your Pistollo 77 has a manufacturing defect (such as a flaw in materials or workmanship present at purchase), contact us with proof of purchase, details of the issue, and supporting photos or descriptions. As the U.S. importer, we may, at our discretion, assist by coordinating with the manufacturer or providing guidance on potential fixes.

This support does not cover issues from normal wear, misuse, modifications, improper maintenance, incompatible ammo or accessories, or user error. We recommend a qualified gunsmith inspect the firearm before use and that you follow all manual guidelines.

The manufacturer and importer assume no liability for damages, injuries, or losses from firearm use, including alleged defects.

Note on Illustrations

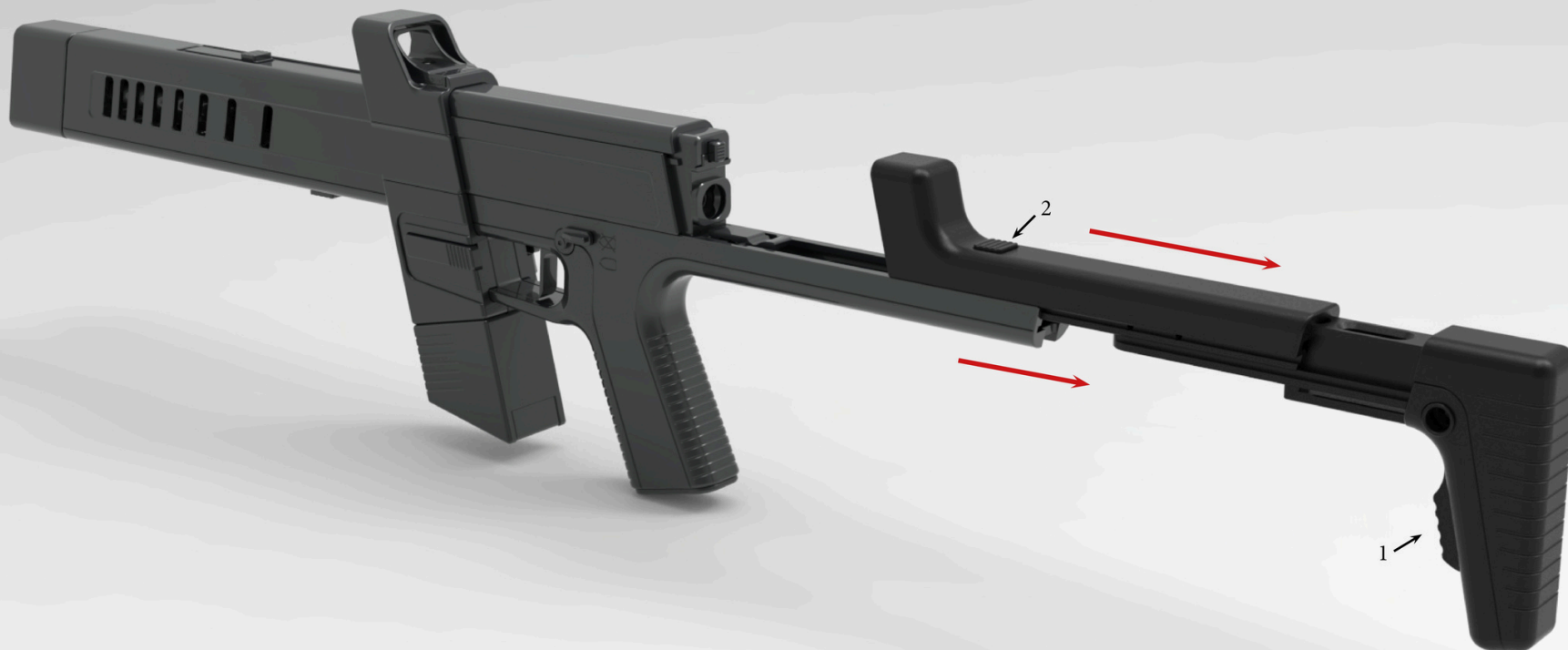
This manual includes technical drawings and sectional illustrations, such as a central cross-section of the firearm, detailed views of the bolt, parts breakdowns of the handguard and shoulder stock, schematics of the trigger mechanism and bolt/recoil system, and drawings of the firearm housing.

Some illustrations depict the non-U.S. version of the Pistollo 77, which features an integrated shoulder stock. The U.S.-exported version is a semi-automatic pistol without an integrated stock, equipped instead with a rear MIL-STD-1913 Picatinny rail for attaching a pistol stabilizing brace.

Conclusion

This user's manual provides essential guidance of the safe handling, operation, maintenance, and disassembly of the Pistollo 77 semi-automatic pistol, designed for sport shooting, target practice, and personal defense. Always prioritize safety, follow all instructions, and comply with applicable laws to ensure reliable performance and longevity.

- 1- Move the stock to its final position
- 2- Press the button and slide the stock out



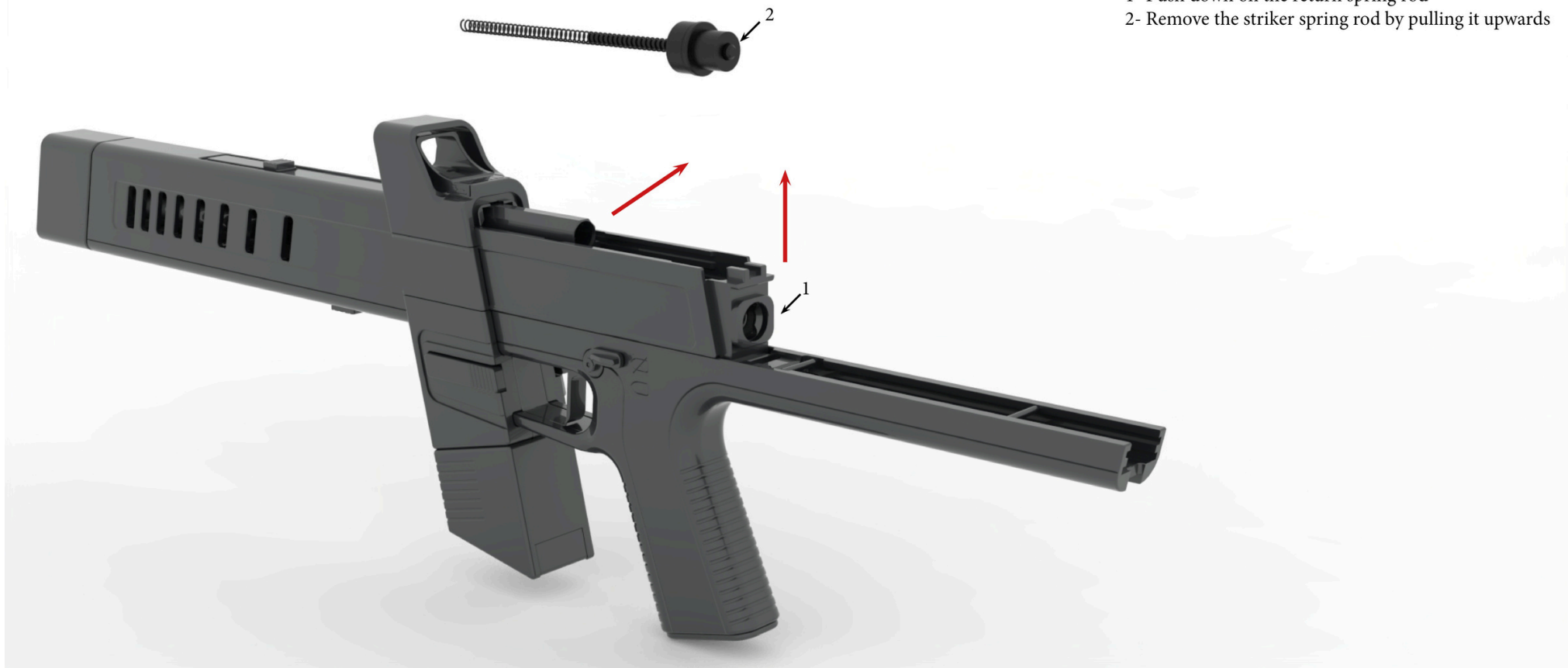
1- Pull the cover back



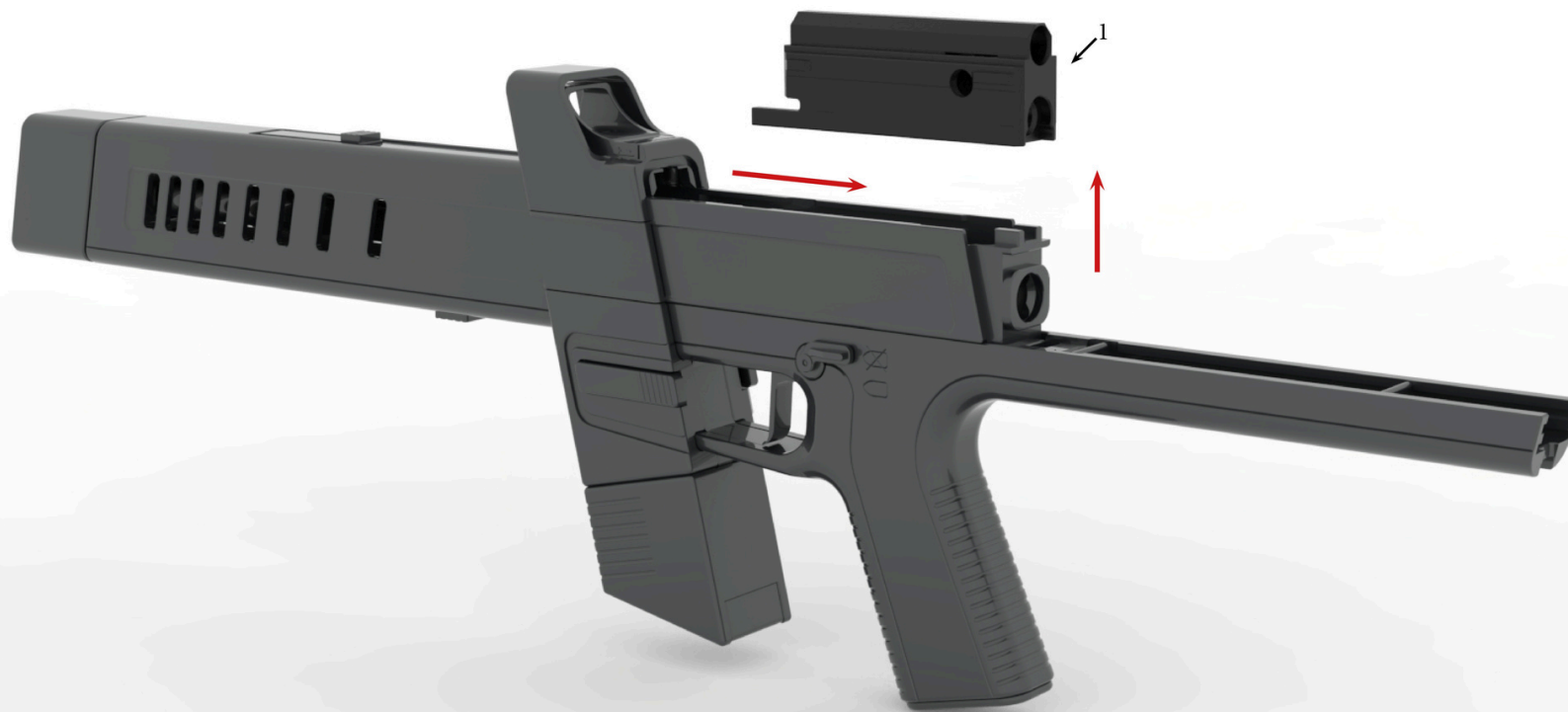
1- Push the return spring rod forward and then upward.



- 1- Push down on the return spring rod
- 2- Remove the striker spring rod by pulling it upwards



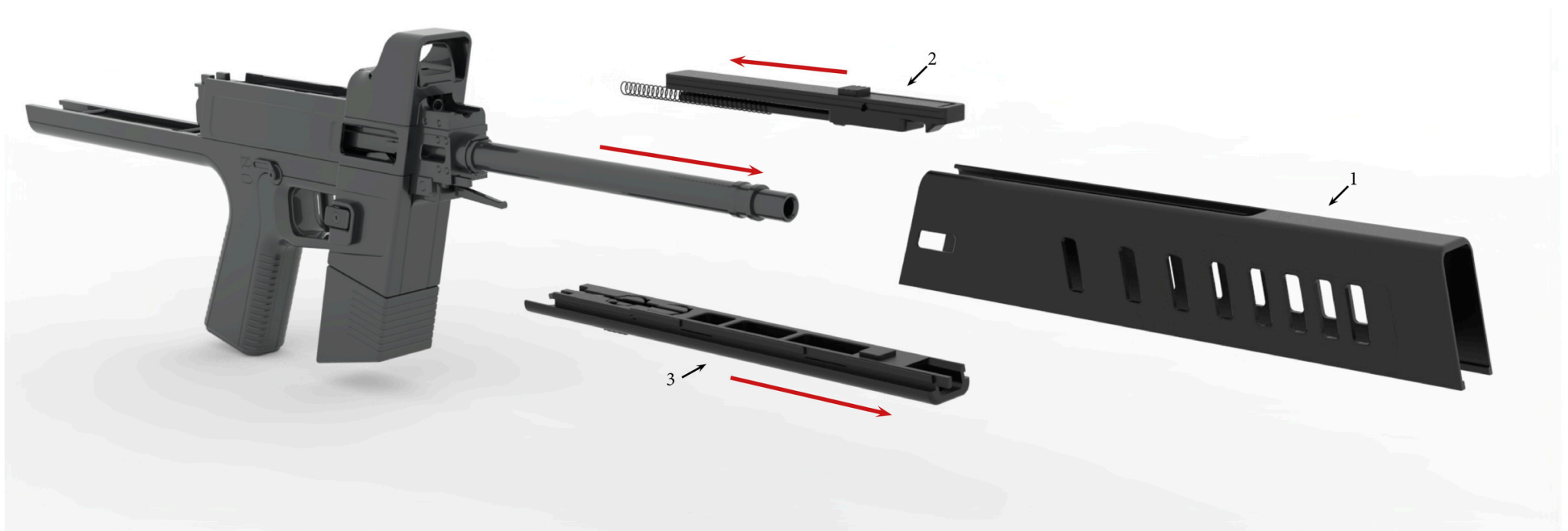
1- Pull the slide back and up.



- 1- Pull the cover forward to remove it
- 2- Press the pin and unscrew the compensator
- 3- Press the pin again and unscrew the fore-end nut



- 1- Remove the handguard
- 2- Remove the tension lever
- 3- Remove the lower handguard cover



77°